

# Messenger Bag

Pls read instructions carefully

Target: ? (including pouch)

Size: 43\*13\*30CM

Main material: PVC (matte finish side out)

Bottom: Non PVC Rubber grip

Colors: See color chart

Lining: Nylon in color Pantone 3248

Shoulderstrap: Seatbelt, 5 cm wide

Straps: Seatbelt

Zippers: YKK

Zipper tape: in reflective material

Zip-puller: Injection moulded (same as 2011)

Logo 1: Silicone printed on front

Logo 2: Printed on bottom

Clasps: Nylon with embossed logo, same as 2011

Metal buckle: Pls send different options

Pouch: See separate artwork



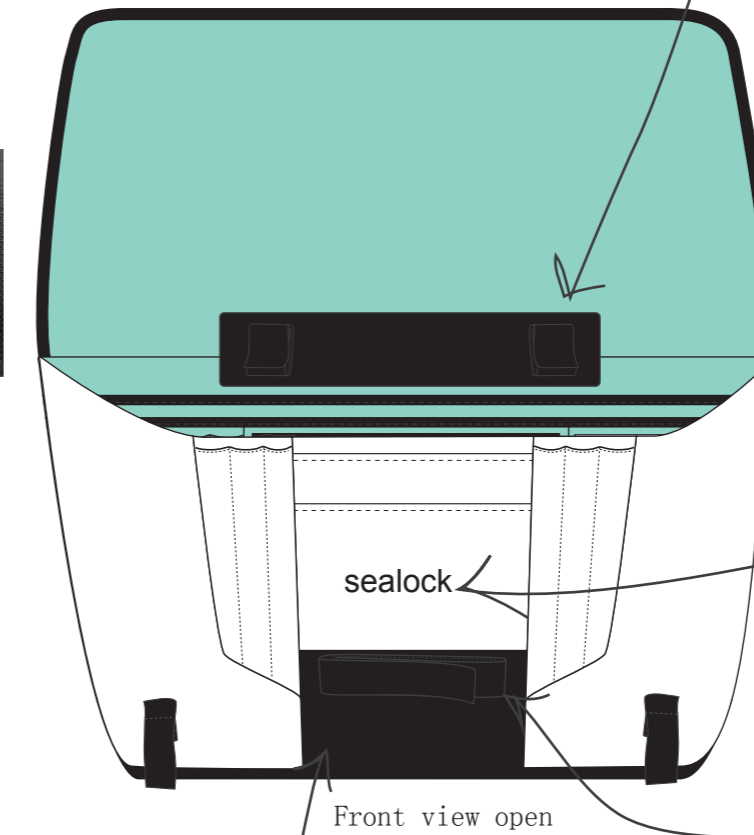
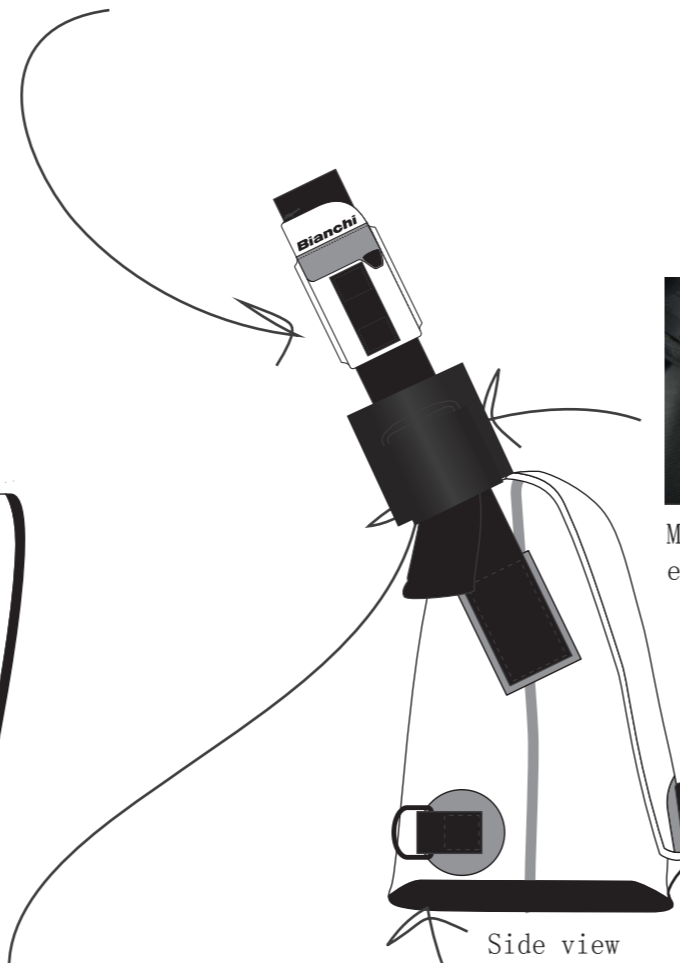
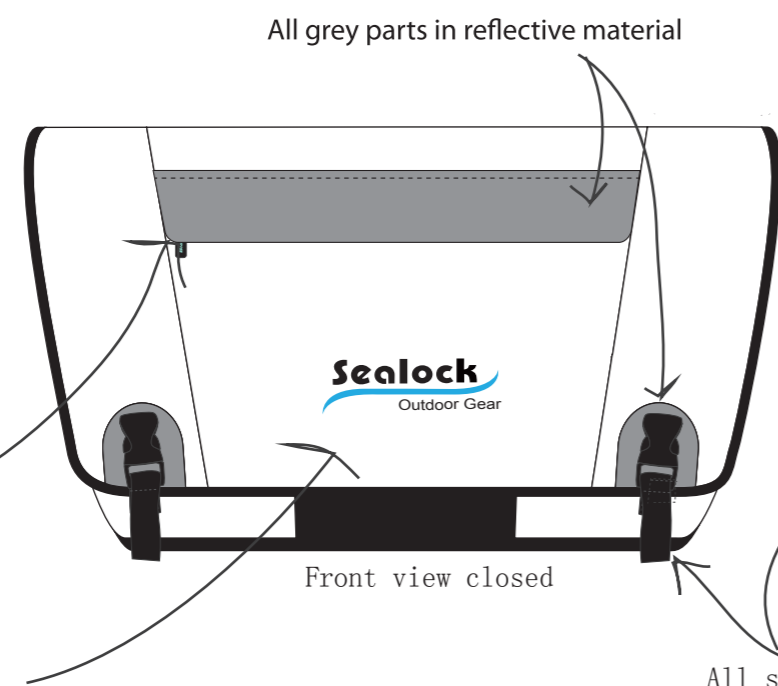
Velcro seatbelt straps for attaching of bicycle pump. Seatbelt in back with two seatbelt straps with velcro



Silicone embossed logo  
Print color: Black  
Logo size: 80 x 11,5 mm  
Placement: Centered from all sides



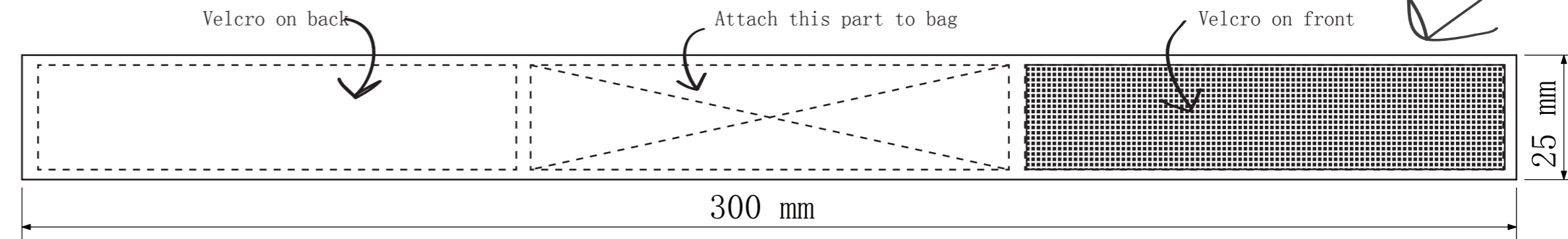
Metal buckle with embossed logo



Velcro seatbelt strap for attaching of bicycle lock. Same material as on bottom underneath



Printed logo  
Print color: white (black on Green/white/red style)  
Logo size: 52 x 82 mm  
Placement: Centered from all sides



Printed logo on bottom of bag, see separate artwork



Ref. pic for printed bottom